

Fig. 1

DISPLACEMENT  
(mm)

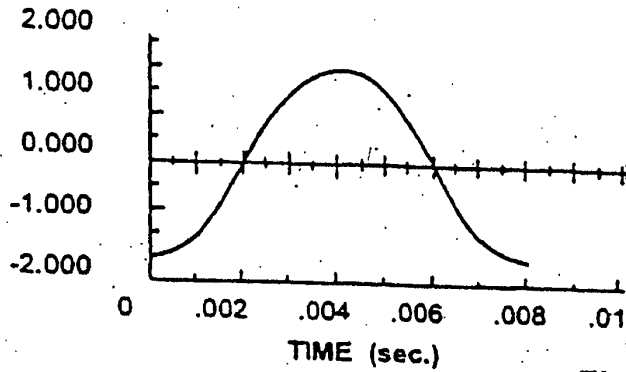
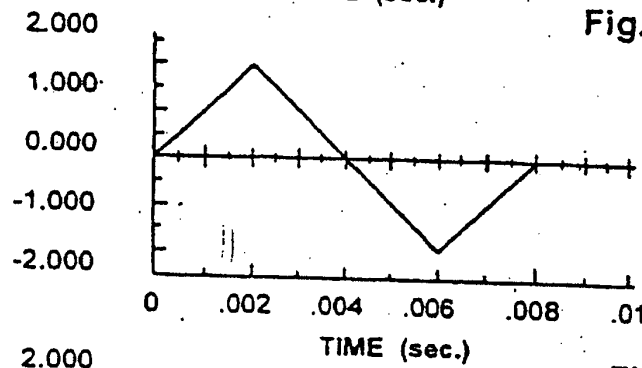


Fig. 24

VELOCITY  
(m/sec.)



DISPLACEMENT  
(mm)

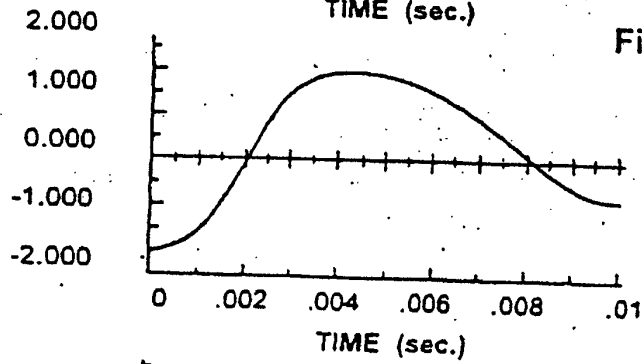


Fig. 29

VELOCITY  
(m/sec.)

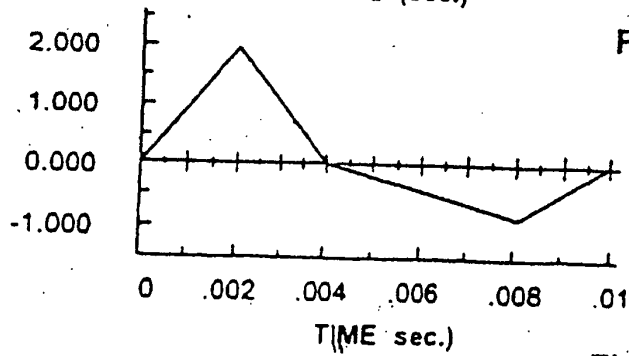


Fig. 29

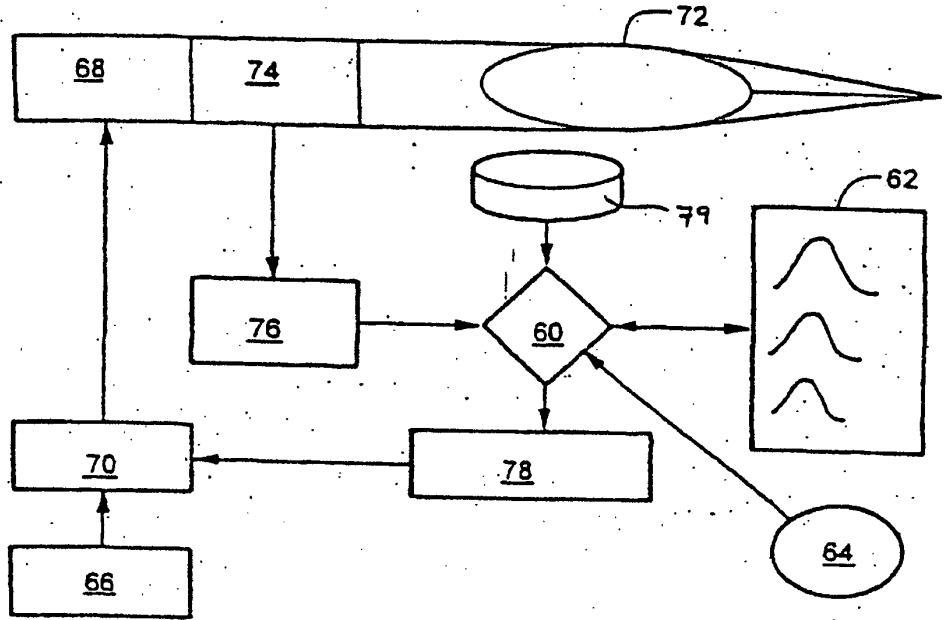


Fig. 3

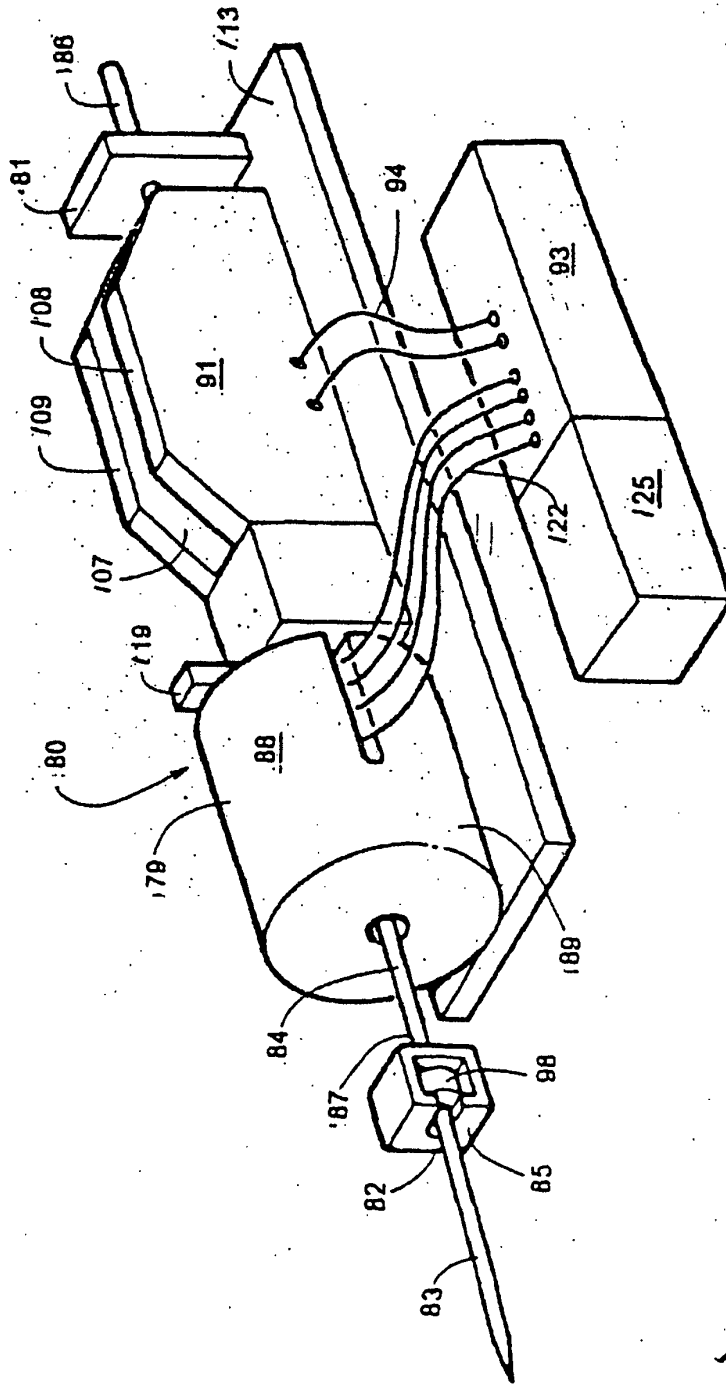


Fig. 4

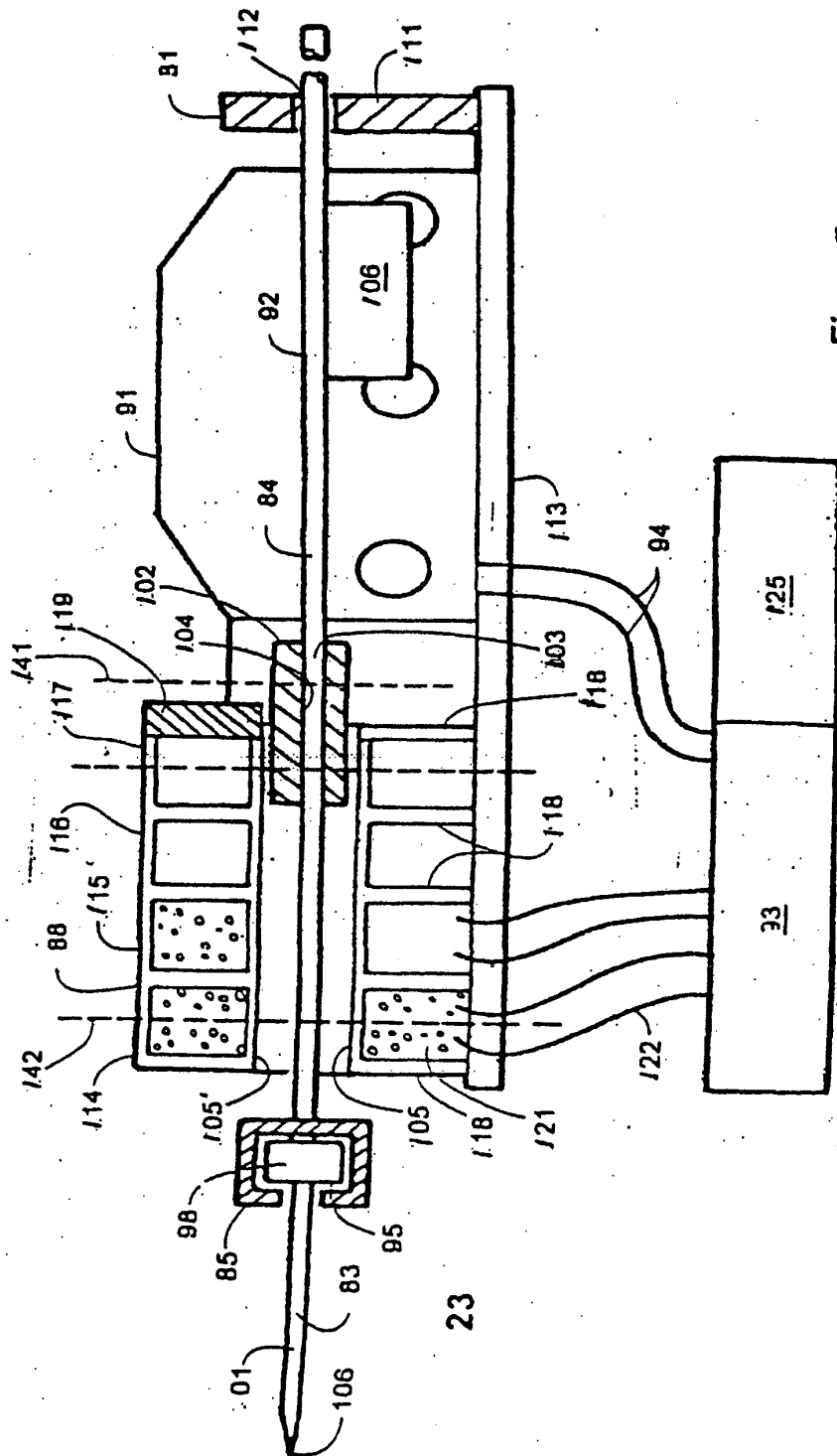


Fig. 5

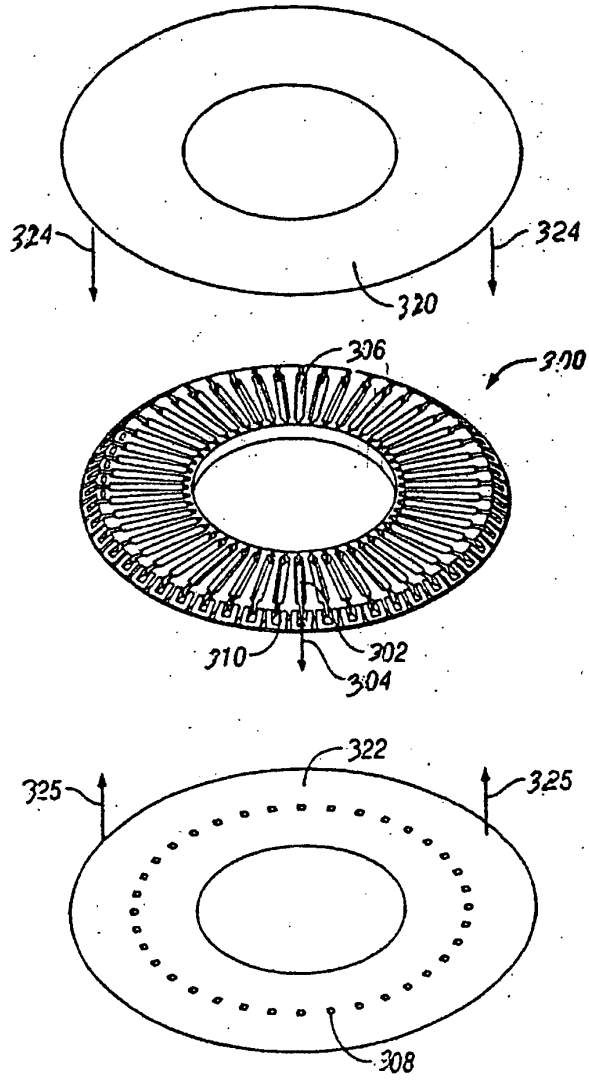


FIG. 6

Figure 7A

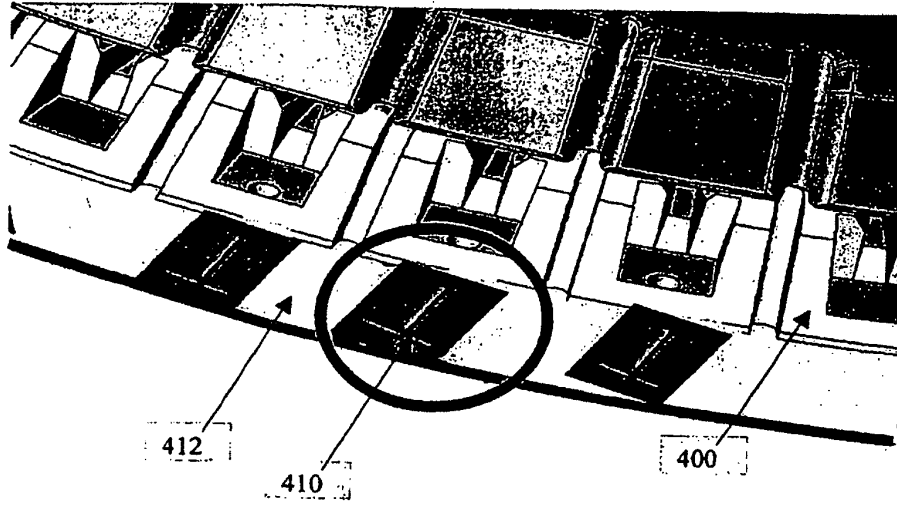


Figure 7B

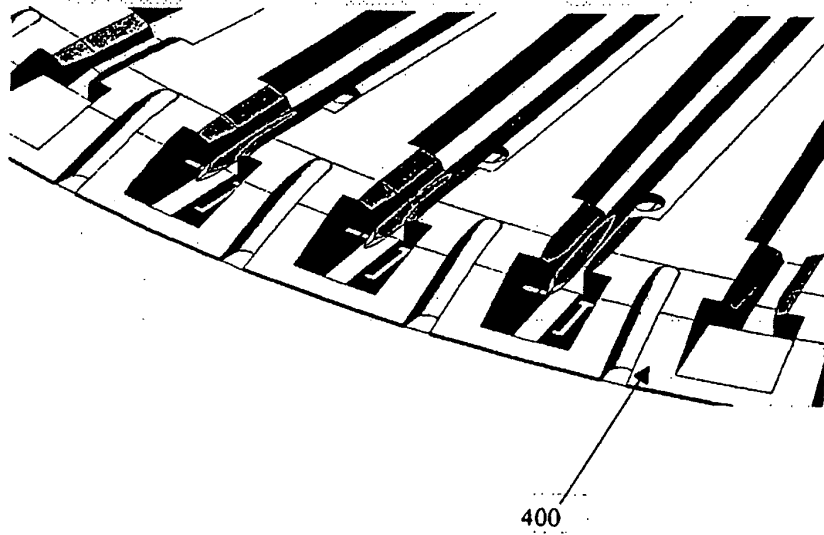


Figure 8

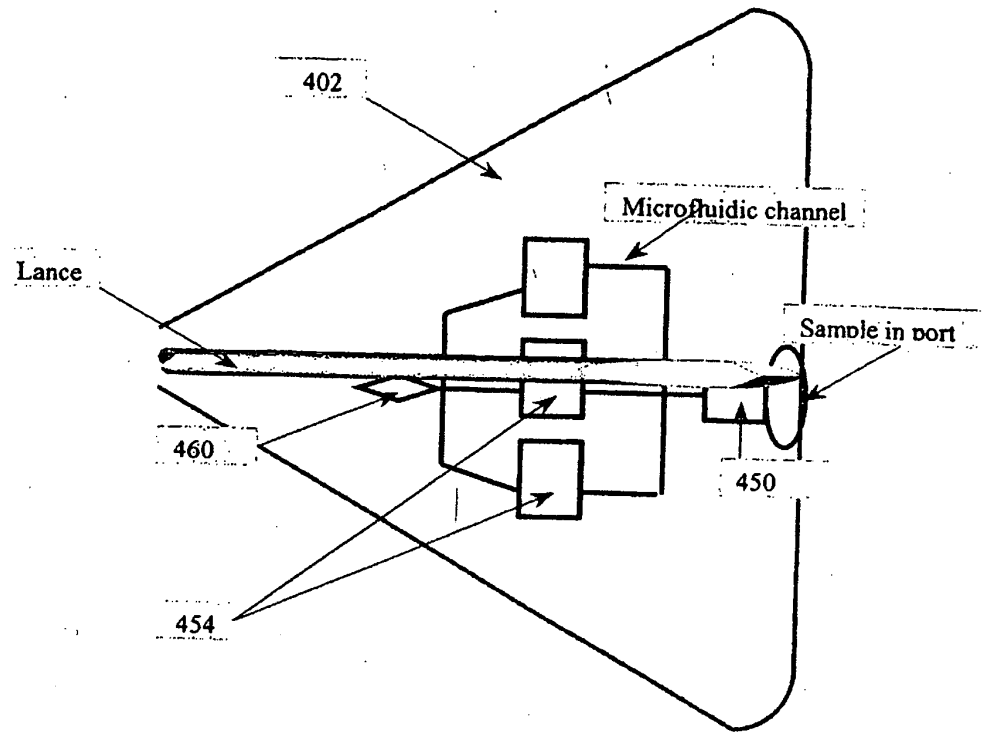
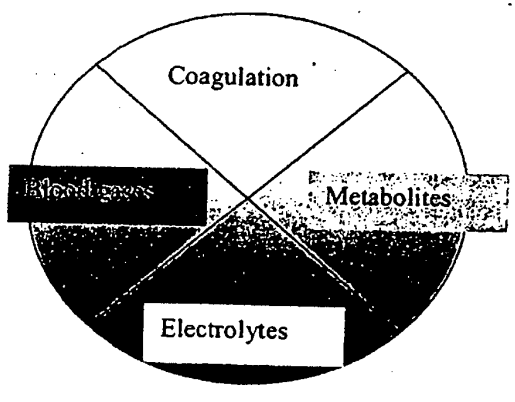


Figure 9





EJECTION MARKS TO BE  
ON THESE SURFACES

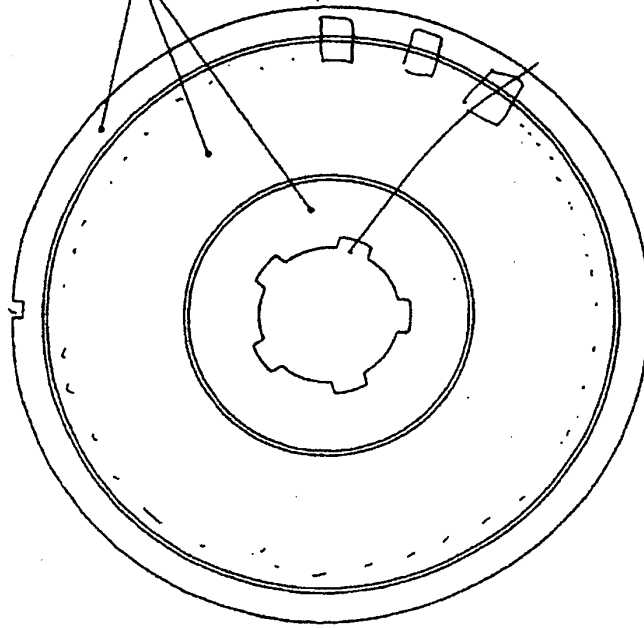


FIG-10

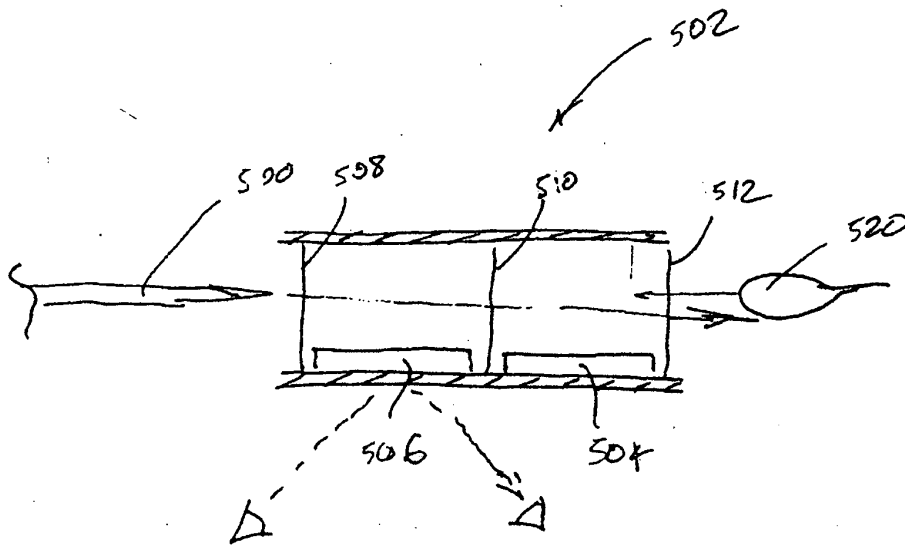


FIG-11